

# Atlas Copco Powercrusher PC 1055 J



## Jaw crusher

Capacity – Recycling material up to 200 t/h

*Sustainable Productivity*

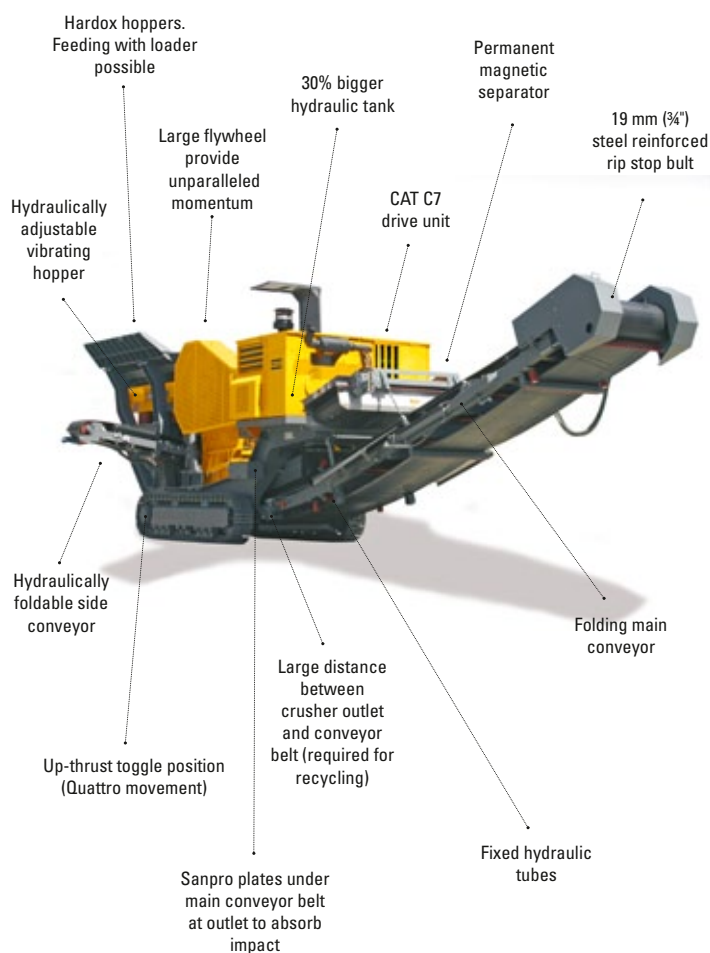
**Atlas Copco**

# Features and technical information for PC 1055 J

For further information, please contact your local Atlas Copco Customer Center.

The Atlas Copco Powercrusher jaw crushers have been designed to operate in the most rugged environments - and incorporate the unique "Quattro Movement". This "Quattro Movement" is made possible by an up-thrust toggle plate position. This causes a figure 8 motion in the moving jaw, which increases the feeding capacity and also produces a post-crush at the crusher outlet. The PC 1055 J gives you:

- Less blockages
- More consistent wearing over the entire jaw faces
- High percentage of less flaky material
- Higher capacity
- Excellent transport dimensions for optimized mobility



## Technical data

<b>Crusher box</b>	
Inlet opening	1 000 x 550 mm
Gap width	50 - 130 mm
Jaw Flywheel	1 360 mm
Crusher revolution	330 (max. rpm)
<b>Feedhopper</b>	
Charging volume	approximately 3.9 m <sup>3</sup>
Charging length	2 800 mm
Charging width	2 350 mm
Charging height	3 500 mm
<b>Vibrating chute with pre-screening</b>	
Length	3 400 mm
Width	1 000 mm
<b>Main conveyor belt</b>	
Belt width	1 000 mm
Discharge height	2 900 mm
<b>Side conveyor belt</b>	
Belt width	500 mm
Discharge height	1 910 mm
<b>Crawler unit</b>	
Track chain width	400 mm
<b>Permanent magnetic separator</b>	
Belt width	750 mm

## Quick facts

<b>Unit type</b>	Jaw crusher
<b>Inlet opening</b>	1 000 x 550 mm
<b>Total weight</b>	33 500 kg
<b>Transport dimensions</b>	(L) 11 500 x (W) 2 550 x (H) 3 200
<b>Crushing capacity</b>	Up to 200 t/h
<b>Engine power</b>	187 kW (252 HP)